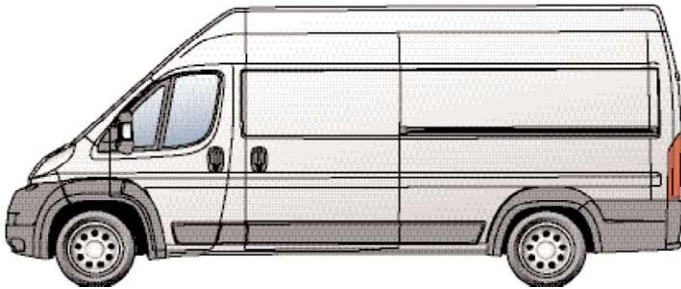
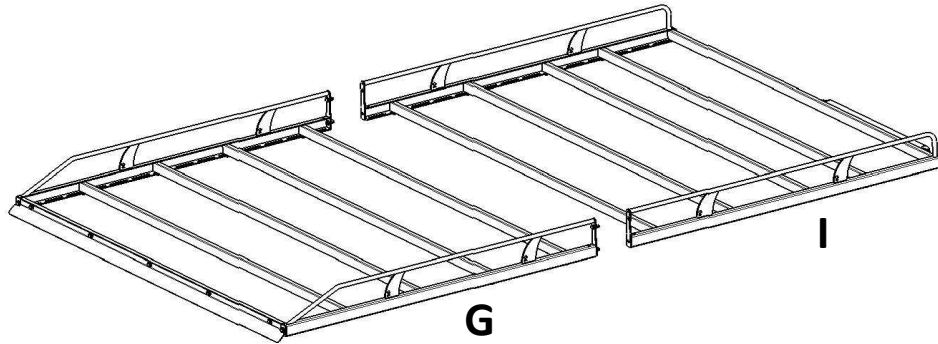


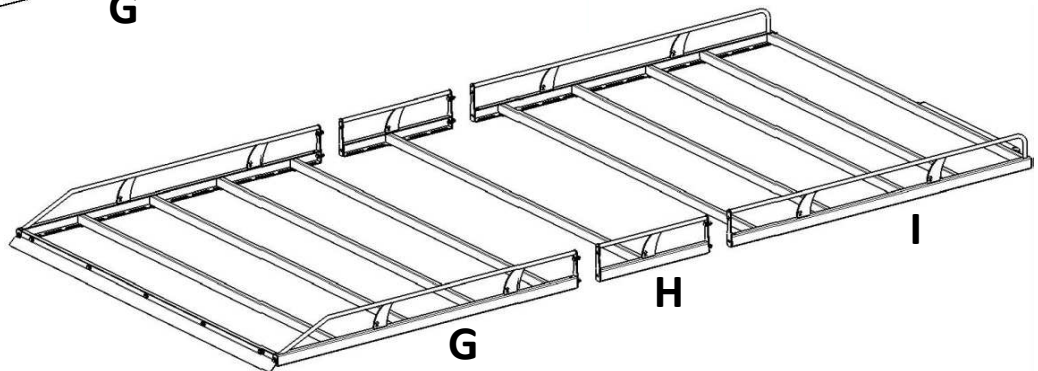
9980 - 9981 - 9982 - 9983
9984 - 9985 - 9986 - 9987



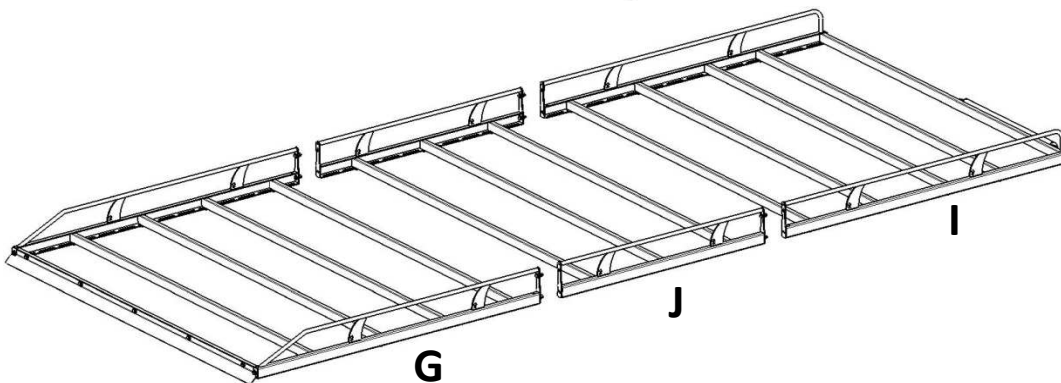
PEUGEOT BOXER - CITROEN JUMPER - FIAT DUCATO 06/2006 >



9980 - 9981
L1 H1

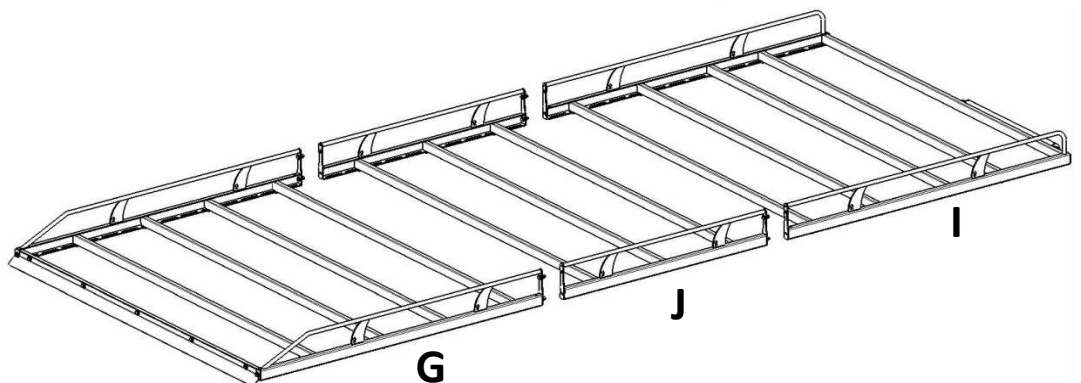


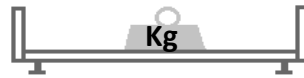
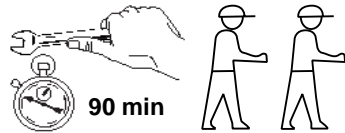
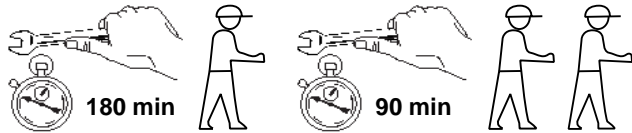
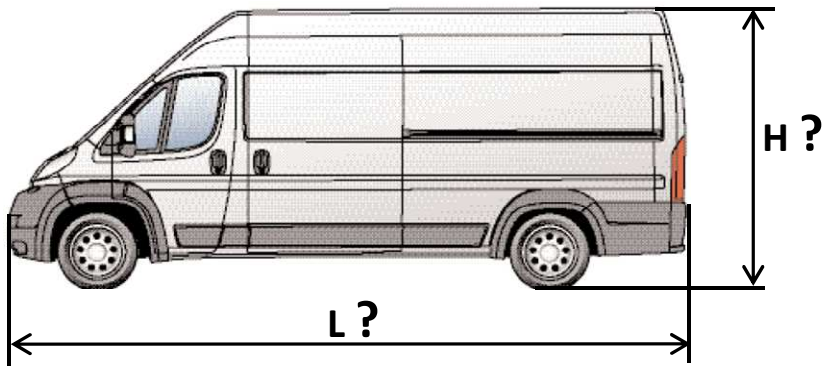
9982 - 9983
L2 H1 - L2 H2



9984 - 9985
L3 H2

9986 - 9987
L4 H2



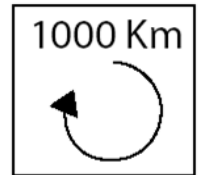
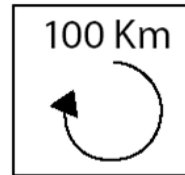
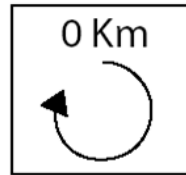


L1H1 = 100 Kg
 L2H1 = 95 Kg
 L2H2 = 95 Kg
 L3H2 = 85 Kg
 L4H2 = 80 Kg

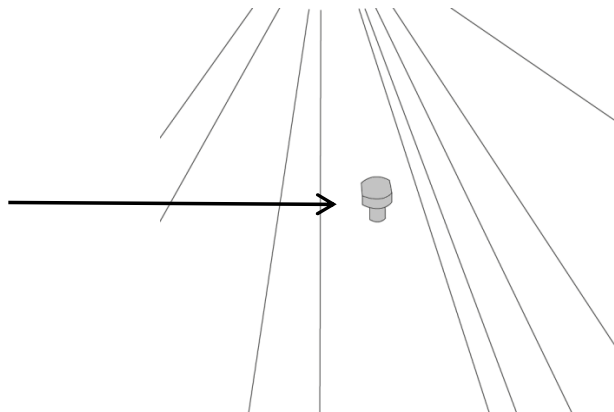
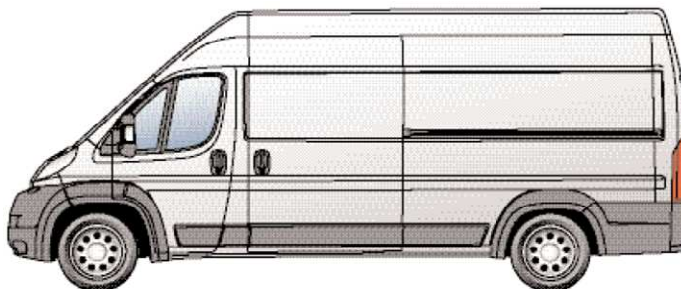
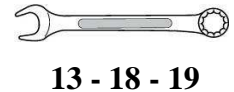
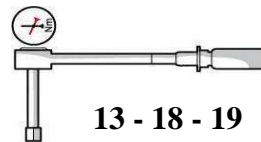
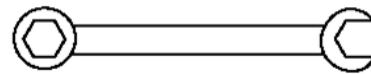
A HM 8 x 20 Cl 8.8 23Nm
 CS 8 x 22

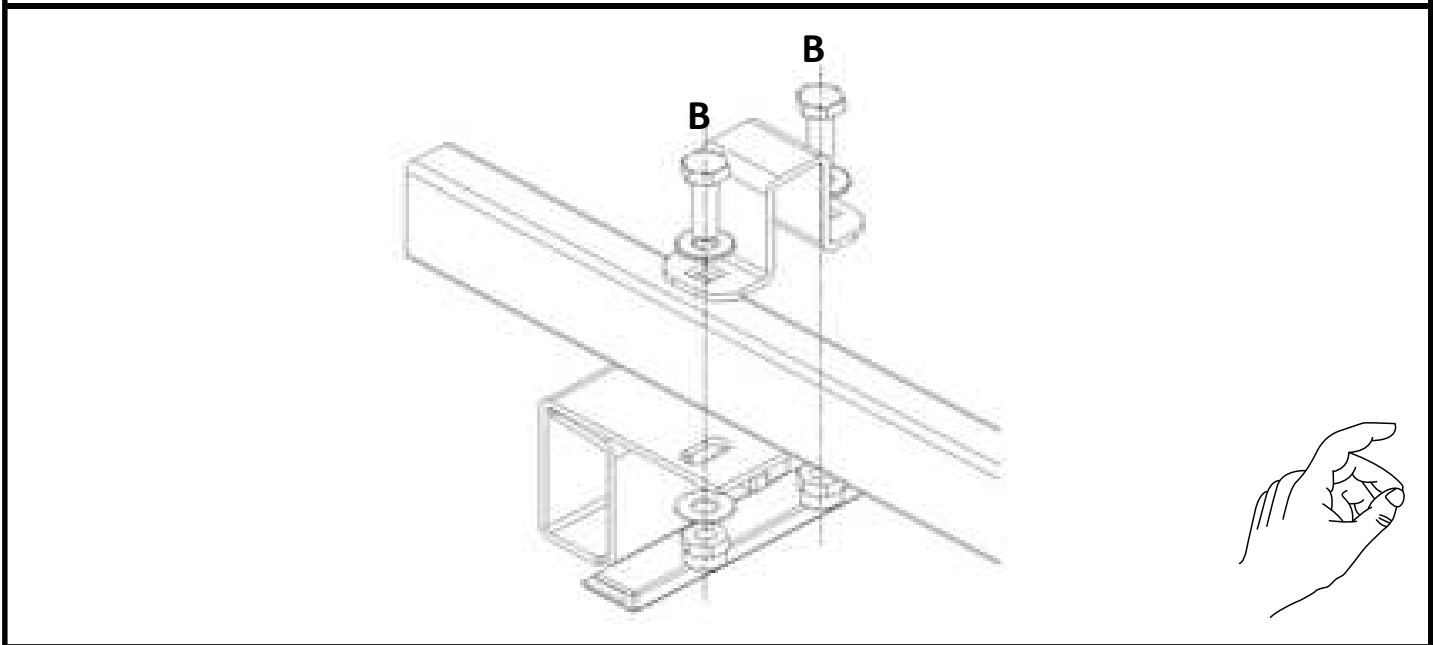
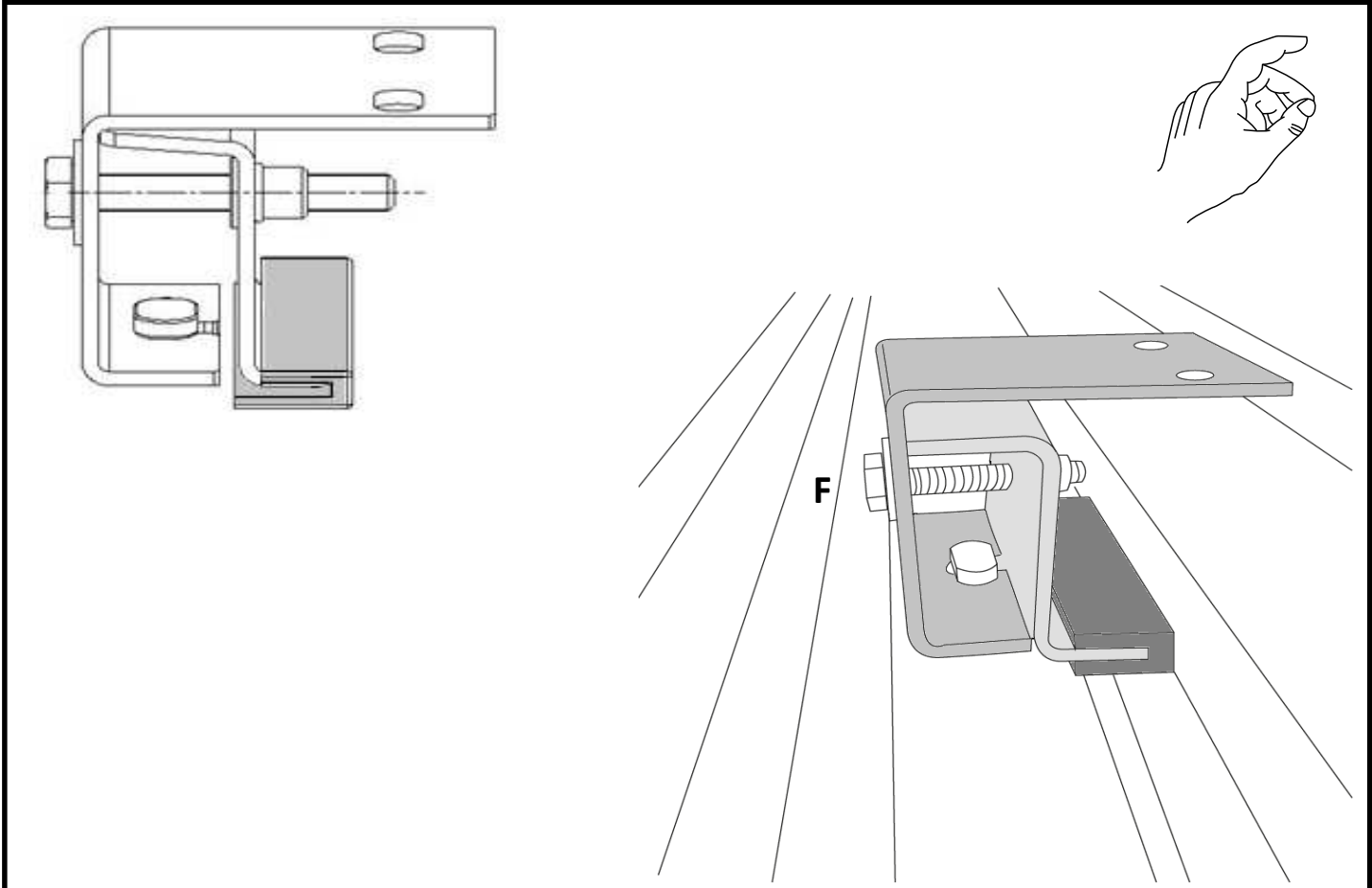
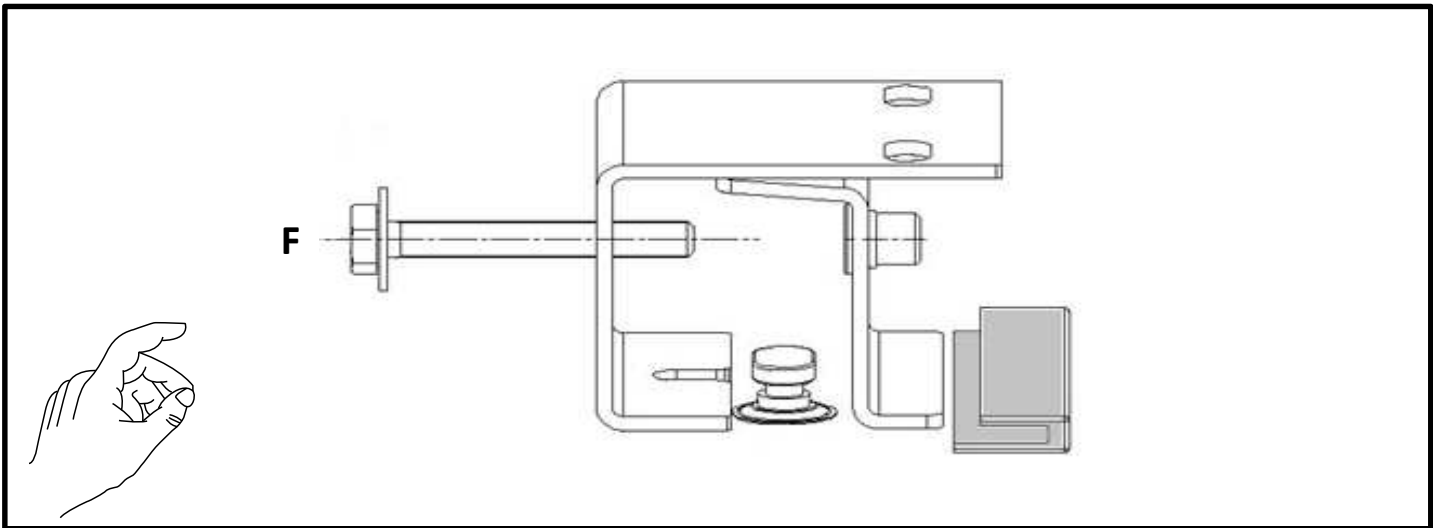
F HM 8 x 60 Cl 8.8 23 Nm
 CS 8 x 22

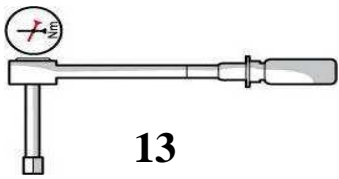
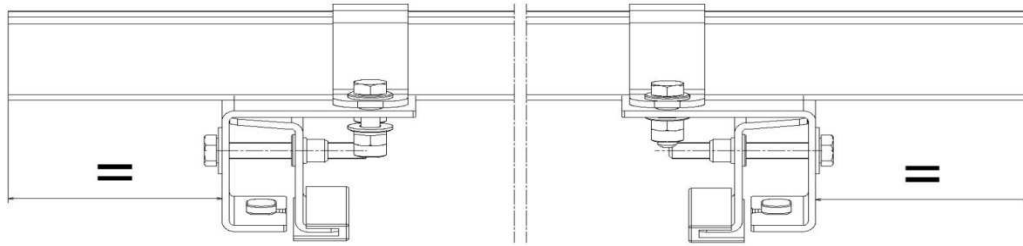
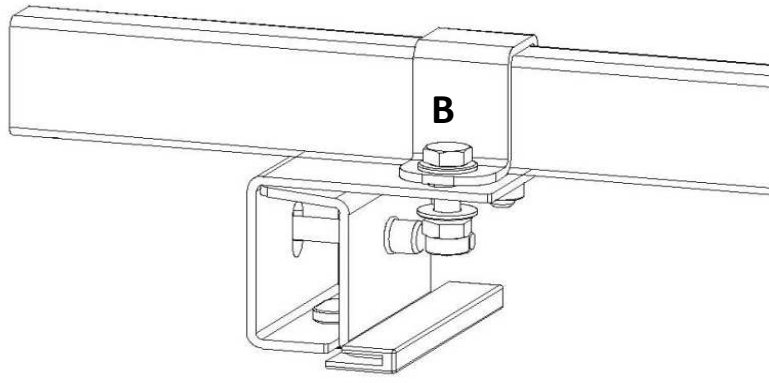
B HM 8 x 25 Cl 8.8 23 Nm
 L 8 x 18
 M8 Cl 8



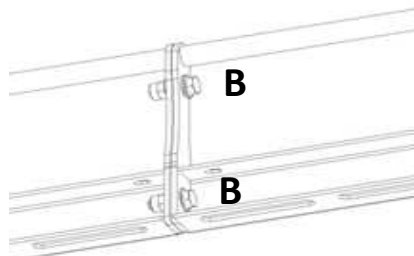
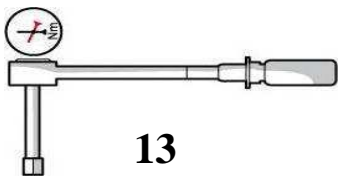
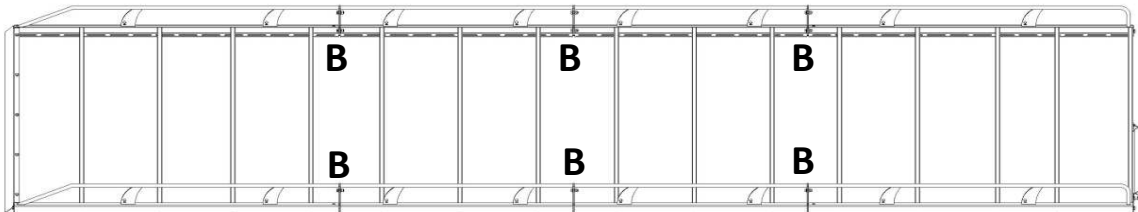
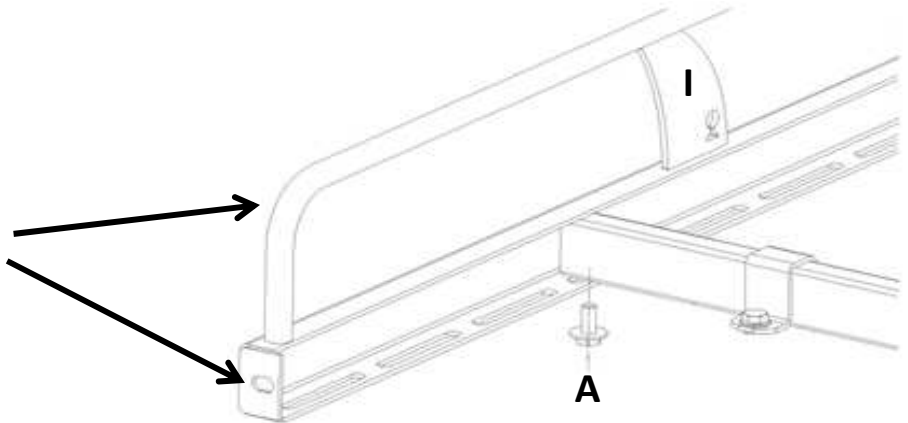
C HM 12 x 50 Cl 8.8 81 Nm
 CS 12
 M12 Cl 8
 45 x 40 x 10



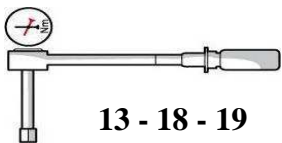
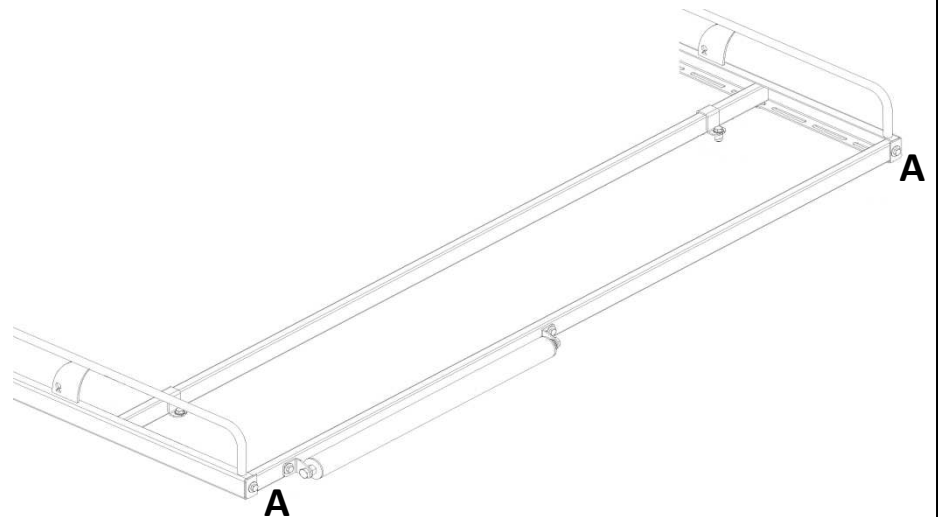
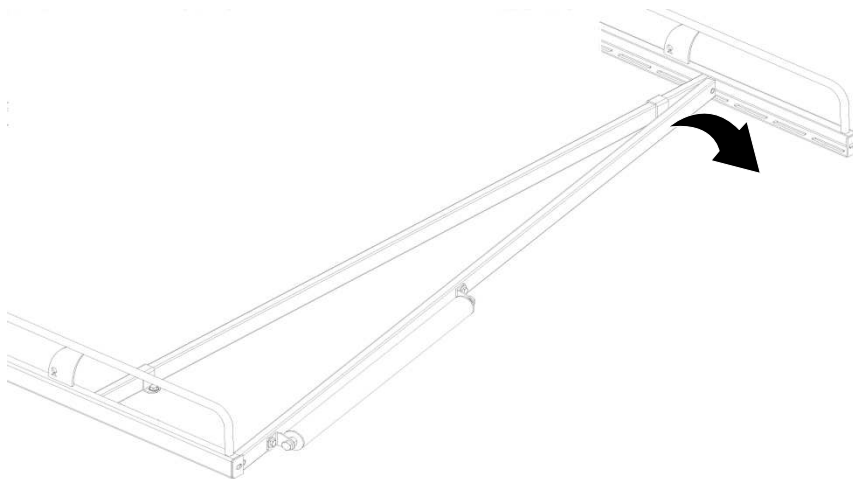
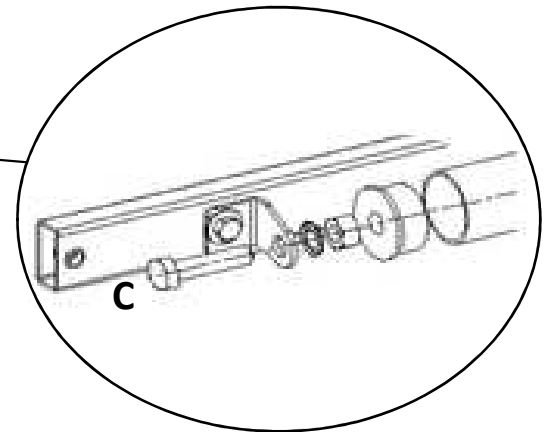
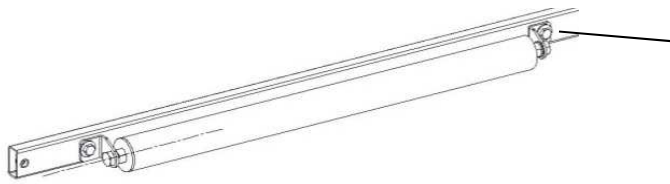
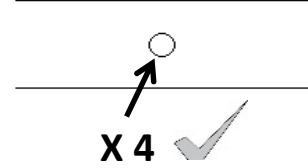
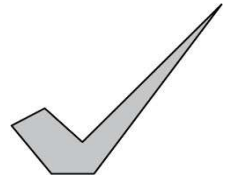
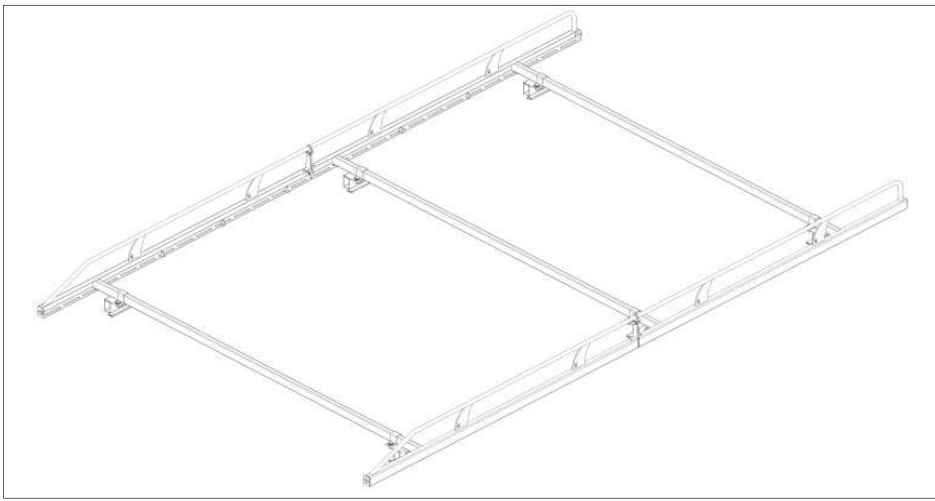




≈ 50 mm



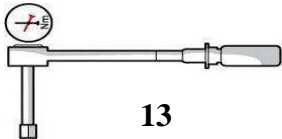
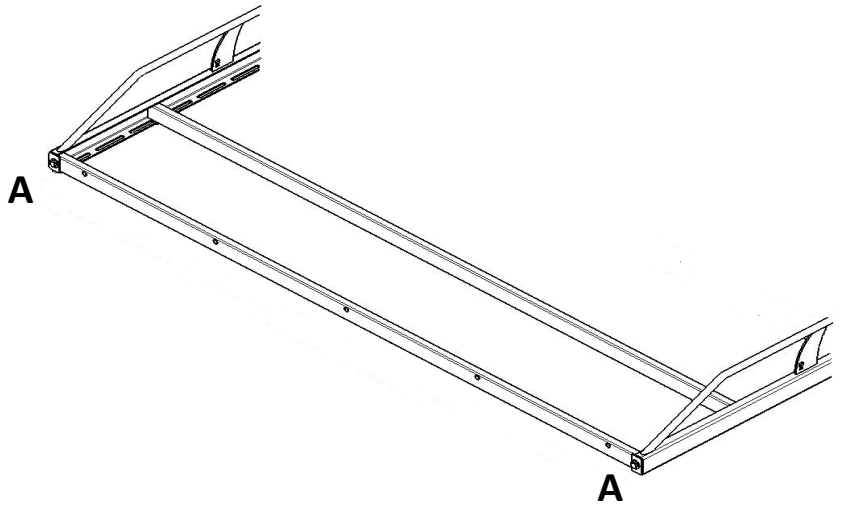
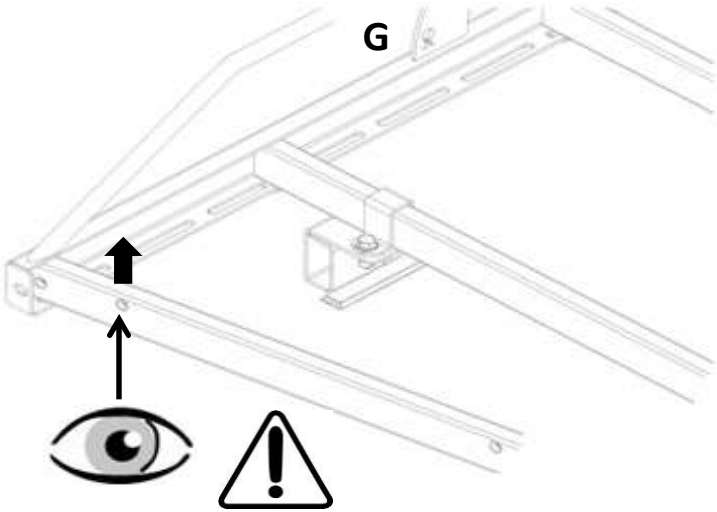
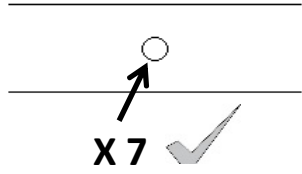
13



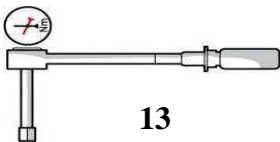
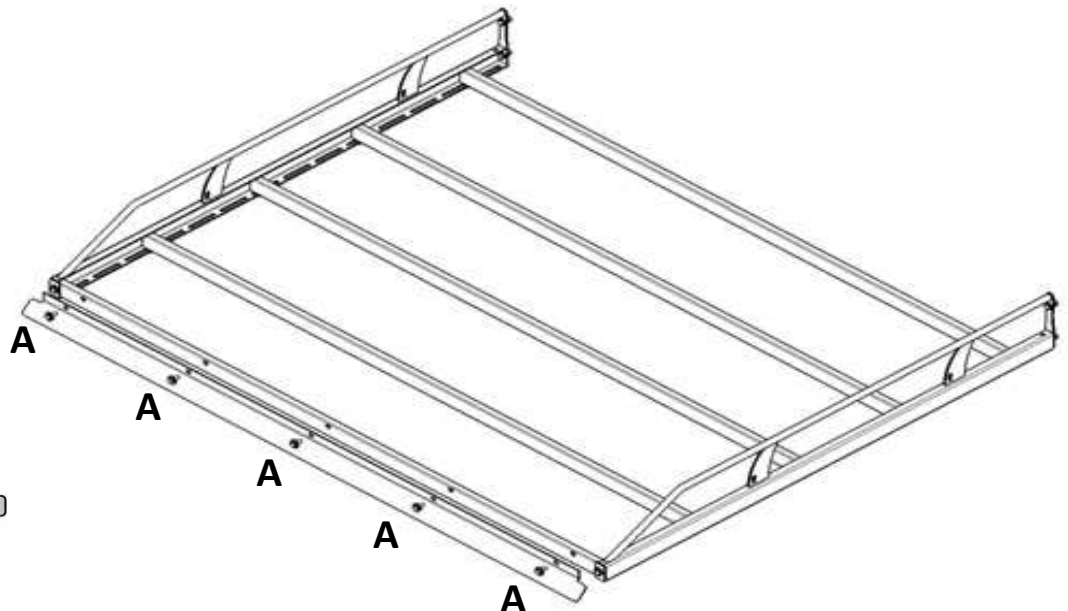
13 - 18 - 19



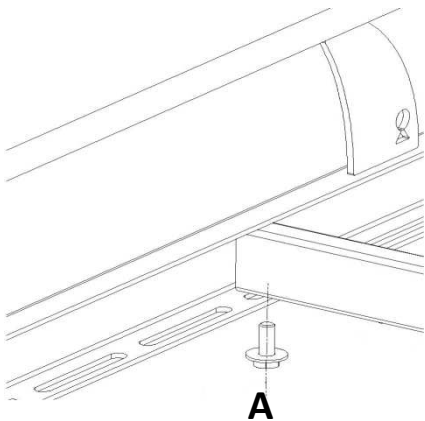
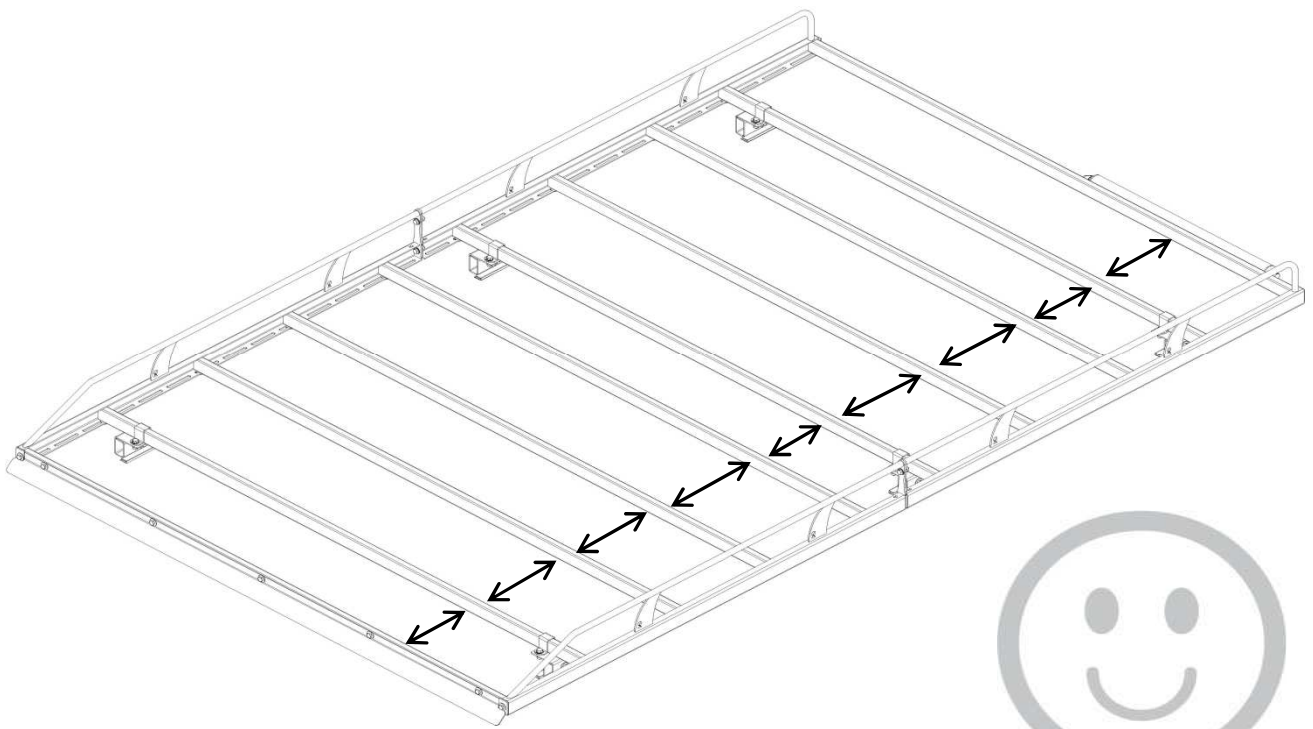
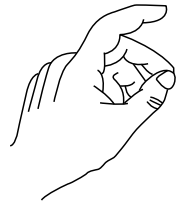
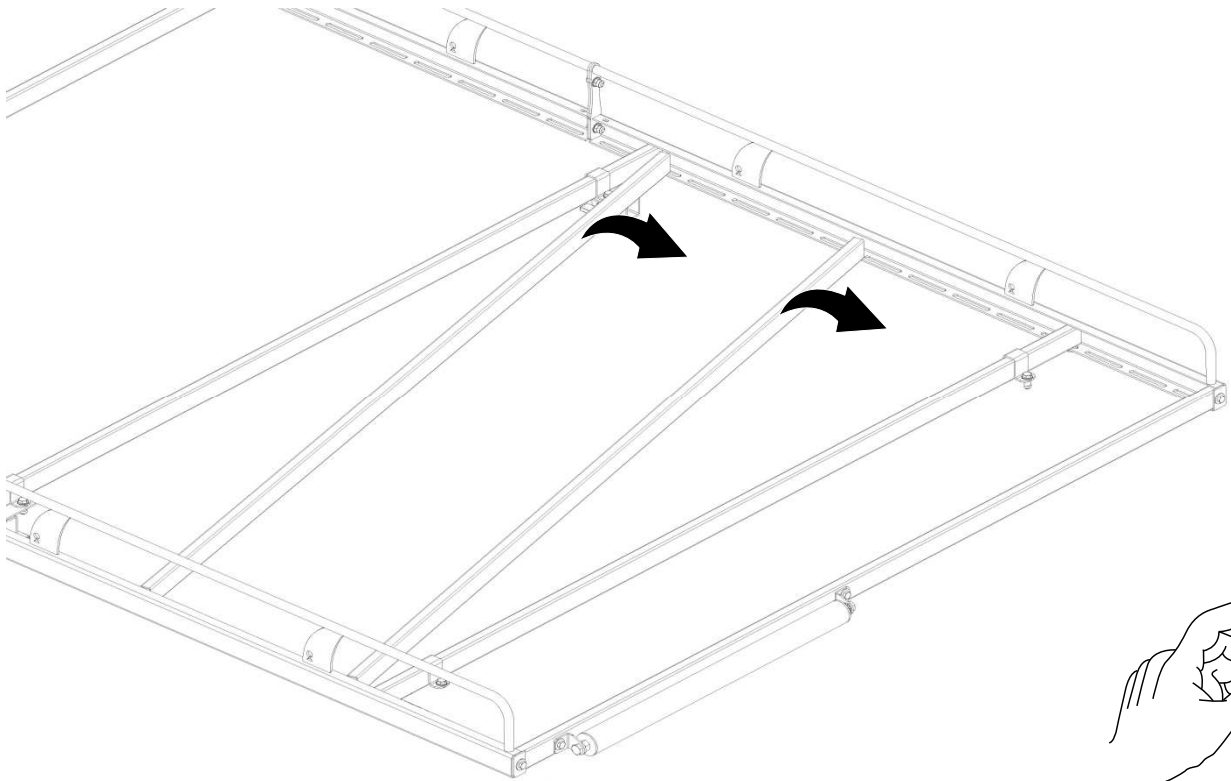
18 - 19



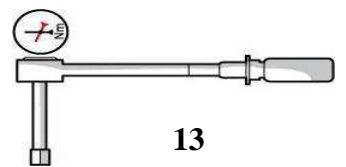
13



13



A



13