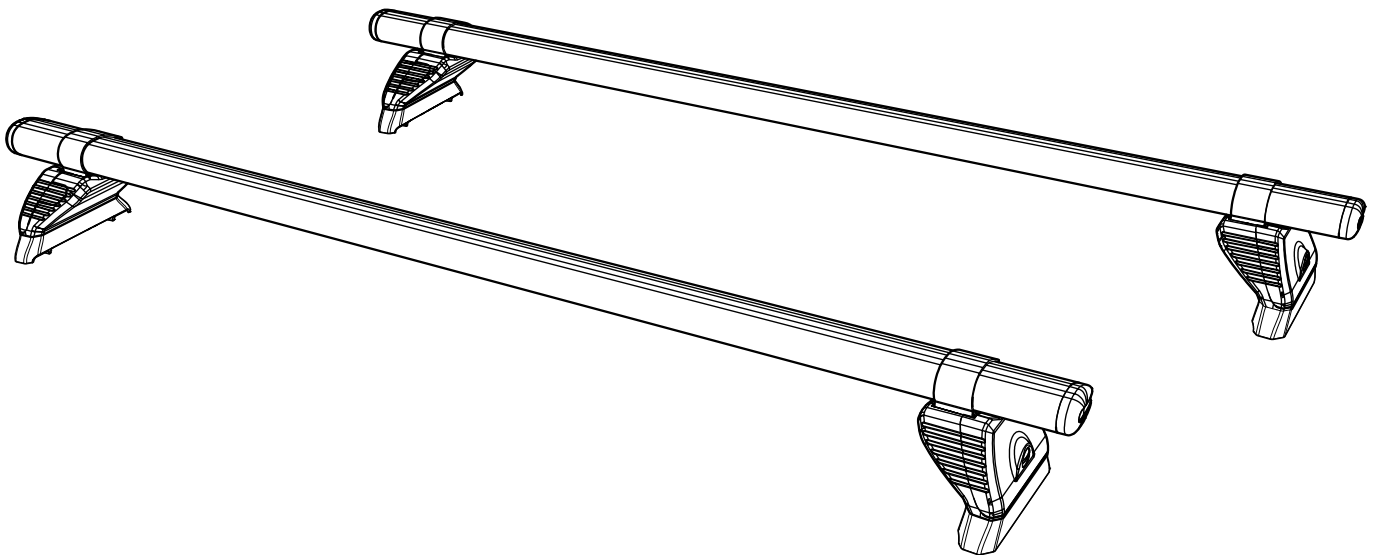


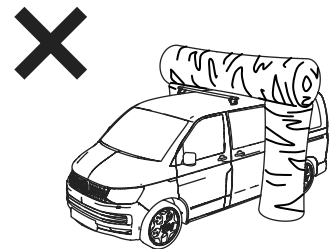
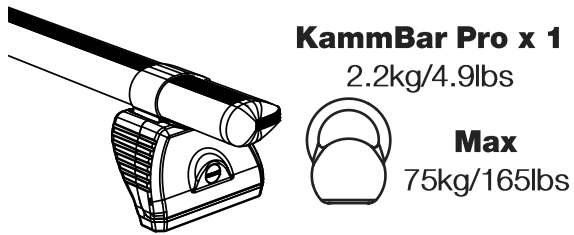
JC2PR/FL KammBar

Instructions

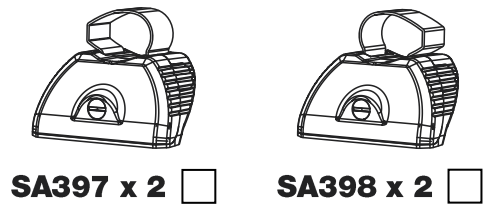
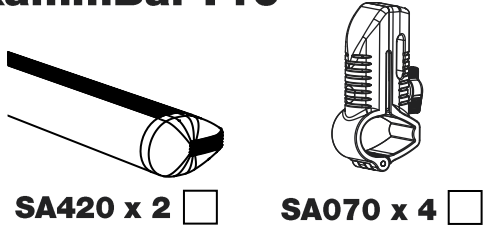


CITY CRASH (✓)

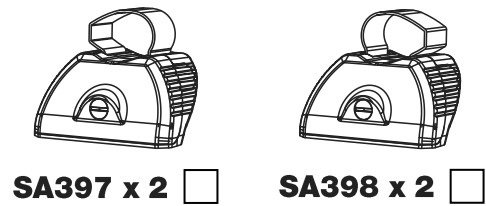
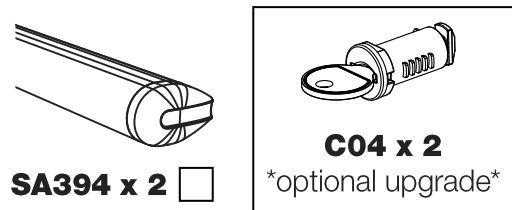
According to ISO/ PAS 11154:2006



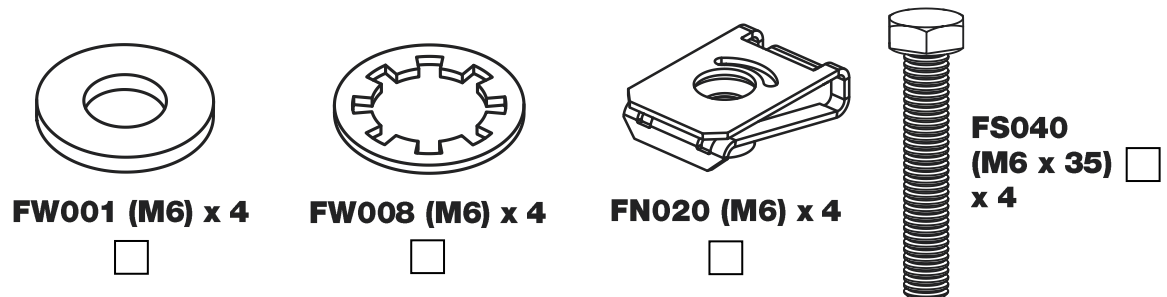
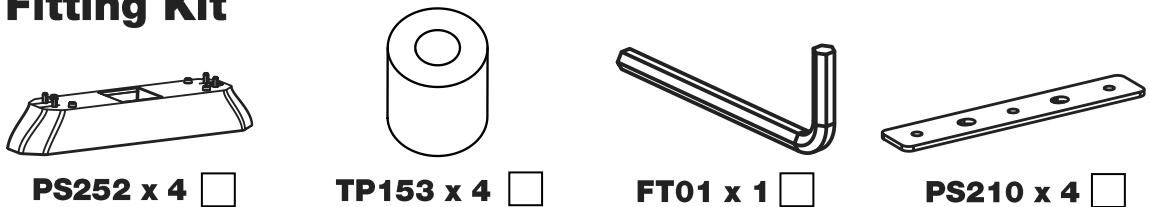
KammBar Pro



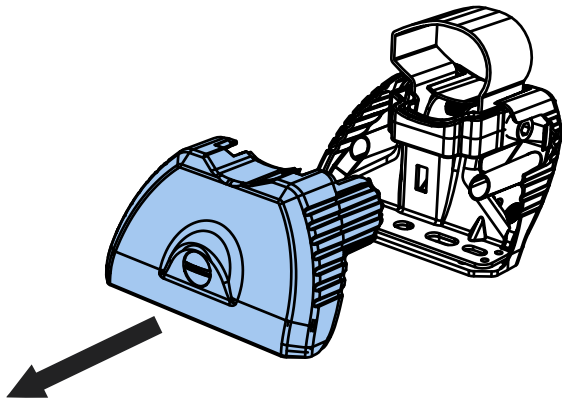
KammBar Fleet



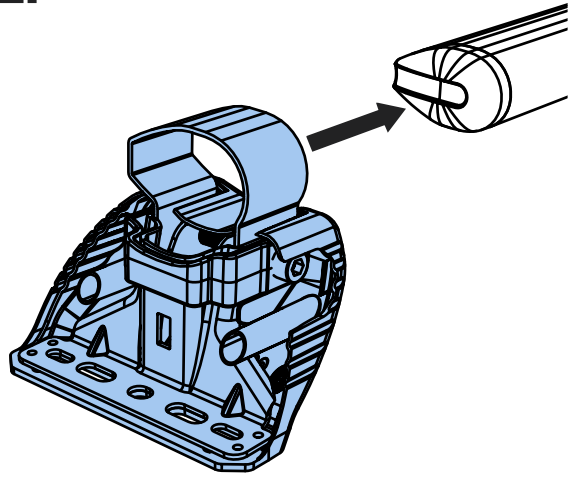
Fitting Kit



1.



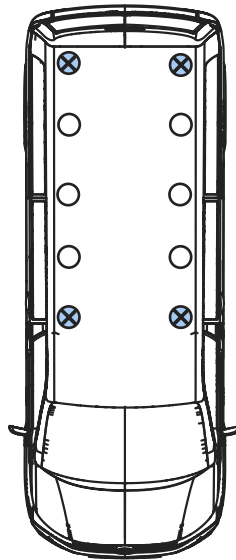
2.



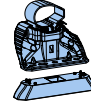
3.



SA397
PS252

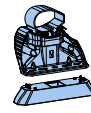


SA398
PS252

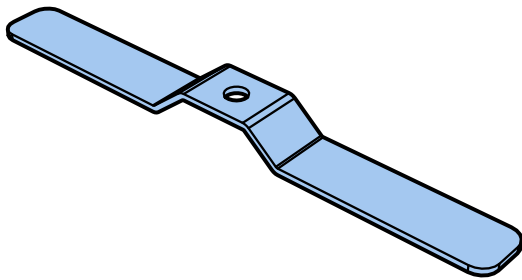


SA397
PS252

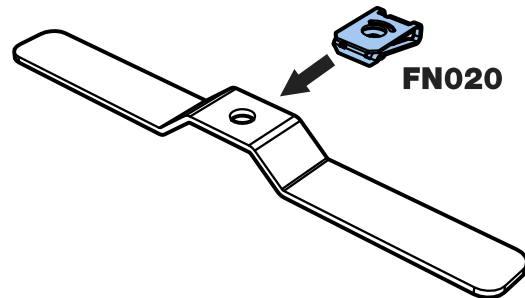
SA398
PS252

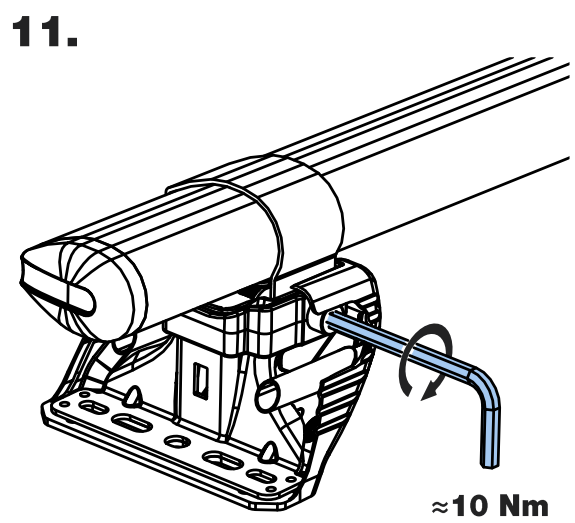
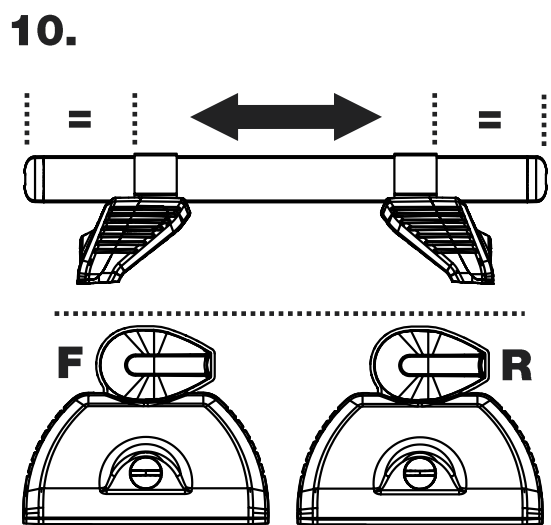
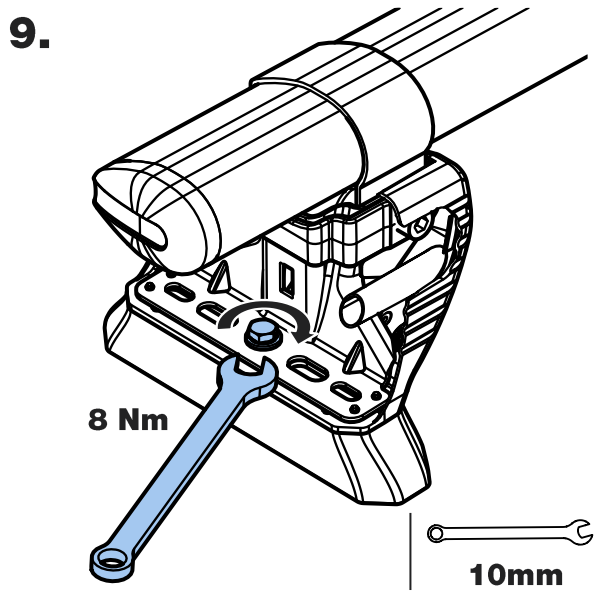
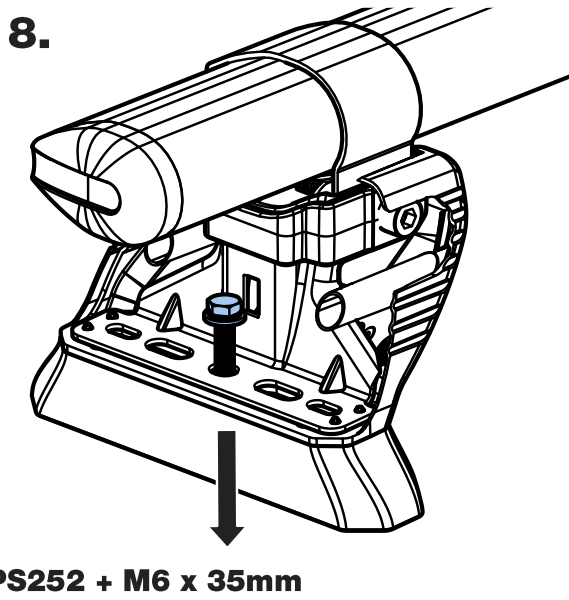
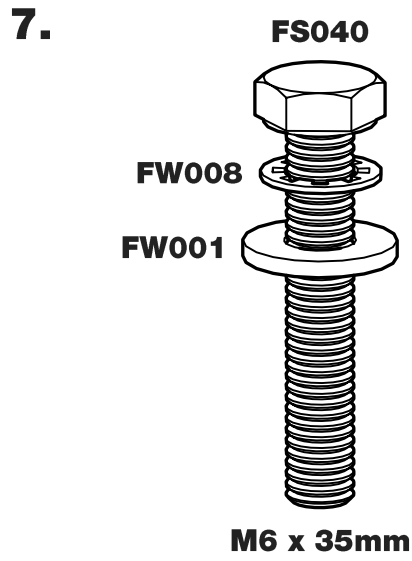
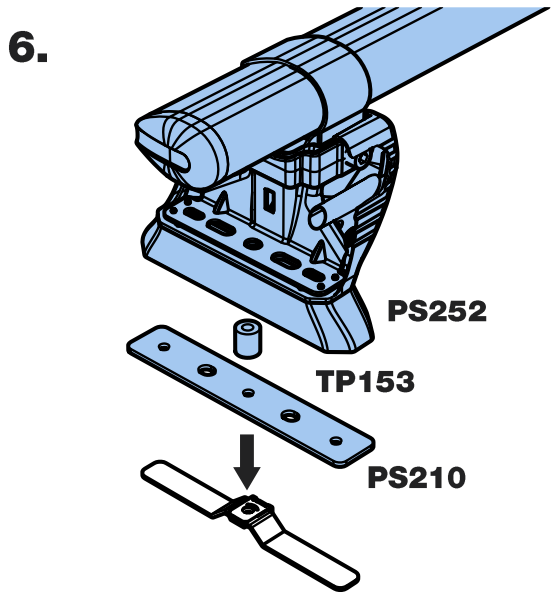


4.

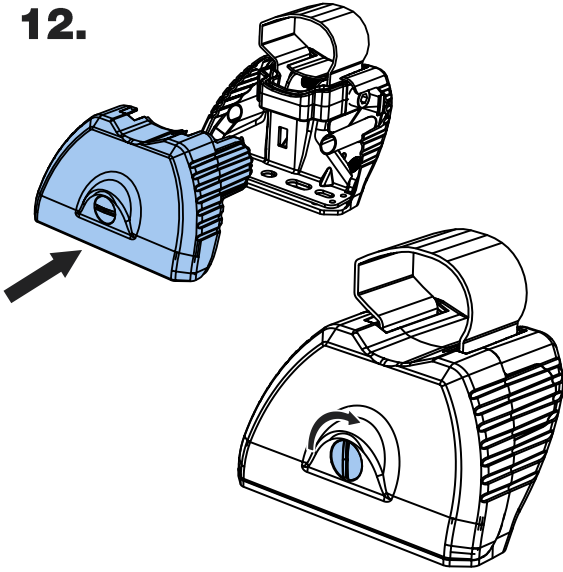


5.





12.



13.

